

Magnetic Level Gauge

With threaded connections

Active

Liquid
Level Indicators
Controllers
Alarms

Description

Femack Magnetic Level Indicators are used for continuous measurement, display and monitoring of liquid levels. The bypass tube is attached on to the side wall of the vessel.

According to the law of communicating tubes, the level in the bypass tube equals the level in the vessel. A float with embedded magnets in the bypass tube follows the liquid level and transfers it in a non-contacting manner to a display fitted outside the tube or to a monitoring device. The following indications and monitoring devices are available.

Magnetic Roller Indicator.

As the float passes by, the red/white rollers are rotated in succession by 180° around their own axes. The rollers change from white to red as the level rises and red to white as the level falls.

Limit Contacts

Magnetic level sensors for limit value acquisition or also for level control functions are enclosed within another SS tube, and secured to the bypass tube.

Applications

- Storage tanks
- Tanks on ships
- Mixing vessels
- Water tanks

Order Details

Please indicate

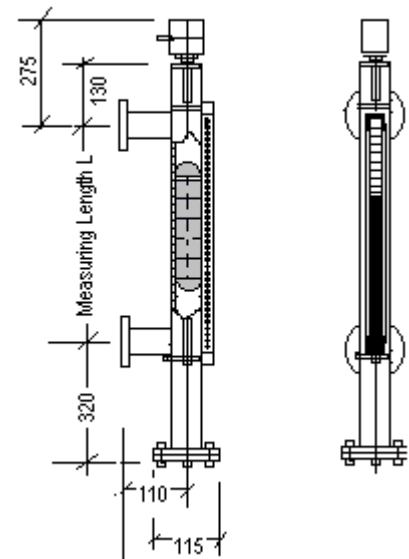
- a) Specific gravity (density of liquid)
- b) Whether only indication with rollers or Indication plus control sensors are required. If yes then their location on the vertical levels
- c) Connections to the vessel (size)
- d) Please specify measuring length "L" in writing



Technical Details

Bypass tube	60.3 mm Stainless Steel 316
Connections	Flange 2 DIN or ANSI
Max temperature	100° C to 400° C (PI specify)
Max pressure	PN 16/40
Max viscosity	200mm ² / sec
Density	0.78 to 1.18
Max measuring length	6000 mm (for more depth additional arrangement can be made)
Total length	See drawing
Indicator error	+ 20 mm with deviation from desired density
Installation position	Vertical
Roller indication	Aluminium sections with PP or Aluminium rollers (depending on temperature)
Limit Contacts	
Contact operation	Bistable changeover contact
Switching hysteresis	approx. 20 mm
Housing	PP/ SS
Protection	IP 65
Max switch capacity	12 V 500 mA (Interface relay provided for 220 V 5 amp rating)
Electrical connection	PVC cables
Ambient temperature	max 75° C

Dimensions



ACTIVE CONTROLS

1800 Giani Market (Opp D 57 South Ext-1)
New Delhi – 110003, India
Tel (91 11) 51646101, 51646102, Fax 51646101
email activecontrols@rediffmail.com
website: www.indiamart.com/activecontrols